



CAROMA

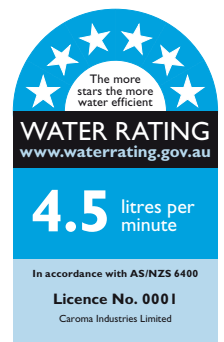
# SMART COMMAND Wall Outlet Tapware

Electronic hands-free,  
Bluetooth® enabled

CI/SfB	(74.1)	g3
Date	June 2018	

Supersedes all previous issues

# 13.06.1



# SMART COMMAND

## Electronic Wall Tap - Single Supply



- Responsive infrared sensing electronic basin (hob) mounted tap design for commercial applications
- Reassurance LED upon activation. Configurable to three separate colour modes (Cold/Warm/Hot)
- Enhanced self-configuring features which assist the sensors to understand the surrounding surfaces.
- Easy access to servicable components.
- Bluetooth® enabled for direct access from a smart device and also communication to Gateway\*
- Smart device application enables faster commissioning and maintenance
- Complete with Flow Control box and Power supply.

**Part Number**

98462C6A	Smart Command Electronic Wall Tap
----------	--------------------------------------

<b>Outlet:</b>	Flowrate: 3.5 Litre per minute. WELS 6 Star.
<b>Hygienic Flush:</b>	Hygienic flush every 24 hours (optional).
<b>Electronic Valve:</b>	The operating voltage of the valve is 6 volts DC.
<b>Electronics:</b>	Supply voltage to the system is 240V AC 50Hz. Operating current 6 volts DC.
<b>Installation:</b>	Single Temperature, Male DN15 (G1/2") water connection. For general electrical connection install a plug socket 240V AC.
<b>Dimensions:</b>	All dimensions are in millimetres and are subject to normal manufacturing tolerances. Caroma pursues a policy of continuing improvement in design and performance of its products. The right is therefore reserved to vary specifications without notice.

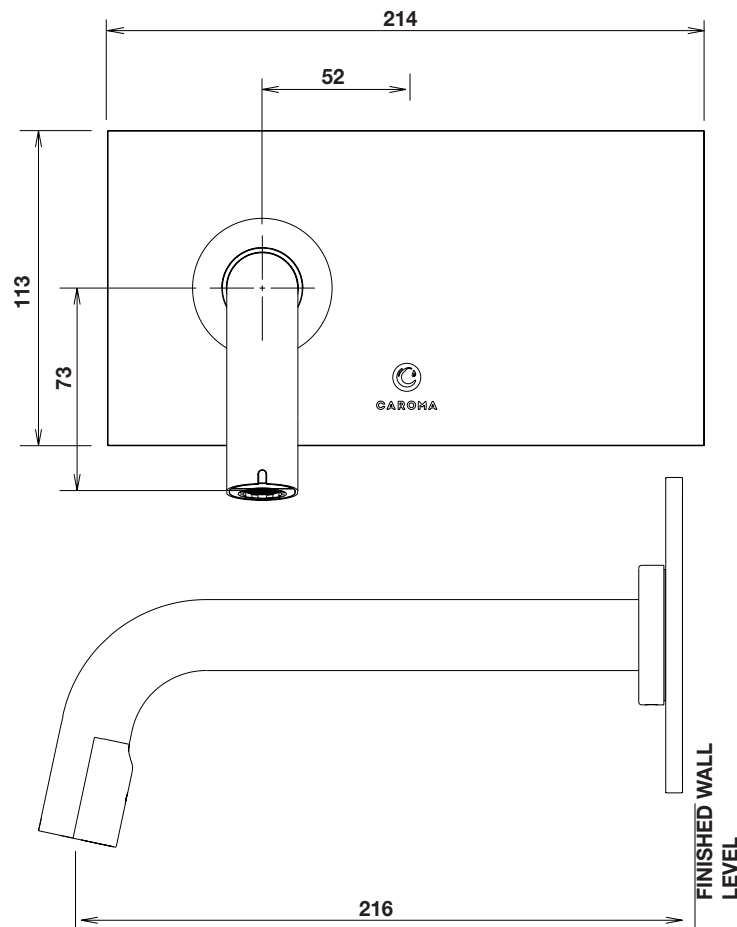


Figure 1: Overall Dimensions (External)

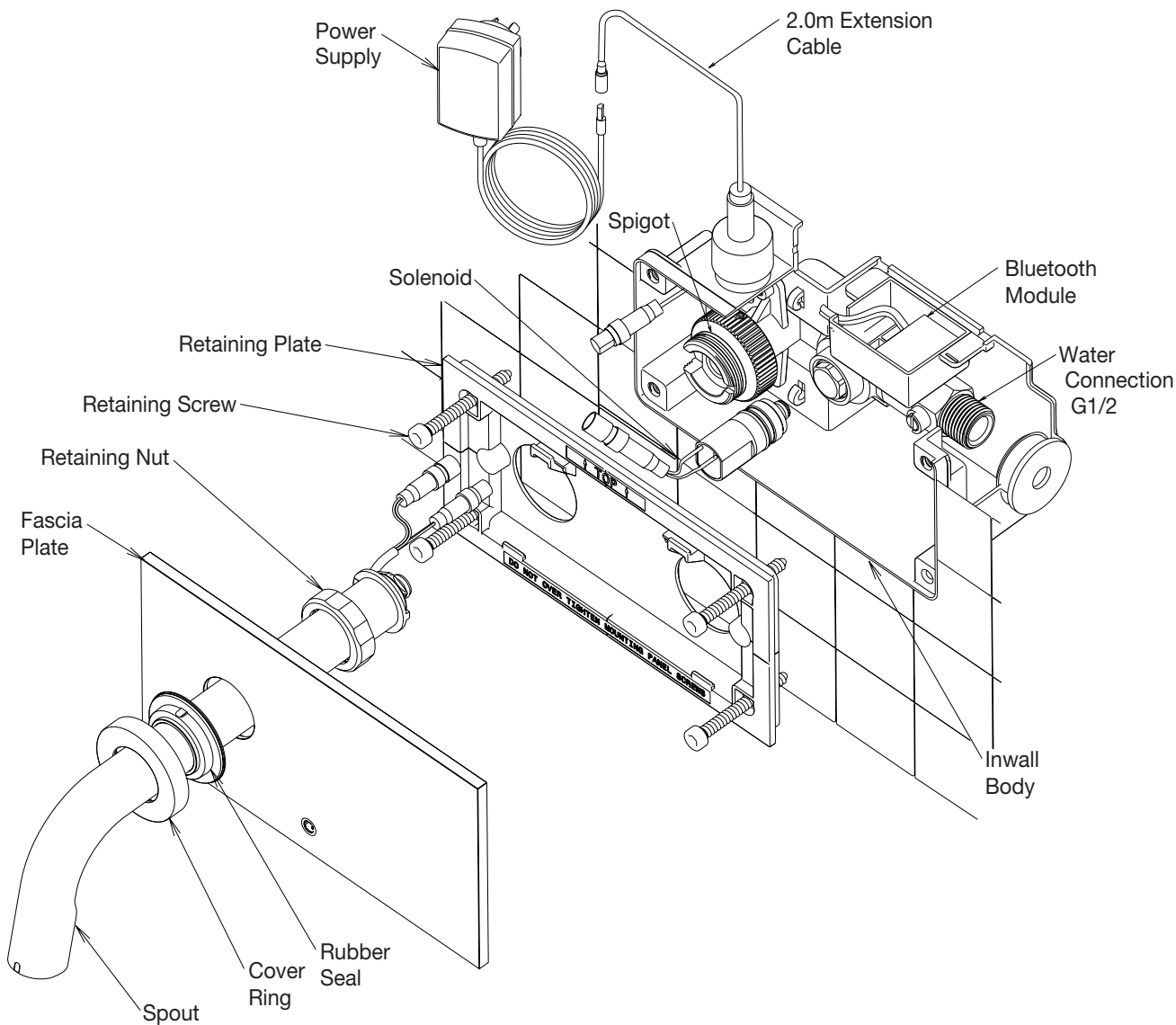



Figure 2: Product Assembly

 <b>SMART COMMAND Technical Data</b> <b>Electronic Wall Tap - Single Supply</b>	
<b>Ethernet Gateway Dimensions</b>	Width 214mm x Distance to Centre of Outlet: 216mm x Height: 113mm
<b>Weight</b>	<b>650g</b>
<b>Power Supply</b>	Wall mounted power pack (supplied)
<b>Sensor Type</b>	Infra-Red
<b>Power Consumption</b>	Max. 20mA
<b>Plug Pack Input</b>	240V AC 50/60 Hz
<b>Plug Pack Output</b>	6V DC
<b>Ambient Temperature</b>	0°C...60°C
<b>BMS Connection Type</b>	BMS connection via Caroma Smart Command Bluetooth® Gateway (410100) & Concentrator (4110101)
<b>Communication Protocol</b>	Bluetooth 4.0
<b>Power Supply EMC Approvals</b>	CE, C-Tick and FCC
<b>Power Supply Safety Approvals</b>	RCM, UL, CUL, TUV, GS, SAA, CE and CB
<b>Power Supply Safety Compliance</b>	AS/NZS 60950, UL 60950, EN 60950, IEC 60950
<b>ROHS Compliance</b>	EN50581:2012
<b>EMC Compliance</b>	EN 301 489-1 V2.1.1, EN 300 328 V2.1.1, EN623111, EN62368-1: 2014, AS/NZS CISPR 32:2015 (ITE Class B)
<b>Electrical Safety Compliance</b>	IEC 60950-1, UL 60950-1, CSA C22.2 60950-1
<b>Complies with EC Directives</b>	RoHS2 Directive 2011/65/EU, Waste Electrical and Electronic Equipment (WEEE) Directive 2002/96/EC, Registration, Evaluation, Authorisation and Restriction of Chemicals (REACH) Directive, Conflict Minerals Directive
<b>Packaging</b>	Dimensions: H: 250 mm x L: 350 mm x D: 100 mm Weight: 900 g Quantity: 1