



CAROMA

SMART COMMAND

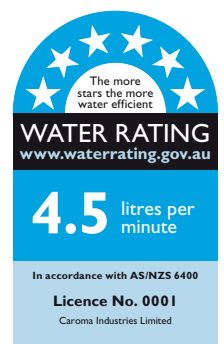
Basin Outlet Tapware

Electronic hands-free, Bluetooth® enabled

CI/SfB	(74.1)	g3
Date	June 2018	

Supersedes all previous issues

13.05.1





SMART COMMAND Electronic Basin Tap - Single Supply



- Responsive infrared sensing electronic basin (hob) mounted tap design for commercial applications
- Reassurance LED upon activation. Configurable to three separate colour modes (Cold/Warm/Hot)
- Enhanced self-configuring features which assist the sensors to understand the surrounding surfaces.
- Easy access to servicable components.
- Bluetooth® enabled for direct access from a smart device and also communication to caroma Smart Command Bluetooth® Gateway*
- Smart device application enables faster commissioning and maintenance
- Control box can be installed remotely up to 2m distance from spout
- Complete with Flow Control box and Power supply.

Part Number

98461C6A	Smart Command Electronic Basin Tap
----------	------------------------------------

Outlet:	Flowrate: 3.5 Litre per minute. WELS 6 Star.
Hygienic Flush:	Hygienic flush every 24 hours (optional).
Electronic Valve:	The operating voltage of the valve is 6 volts DC.
Electronics:	Supply voltage to the system is 240V AC 50Hz. Operating current 6 volts DC.
Installation:	Single Temperature, Male DN15 (G1/2") water connection. For general electrical connection install a plug socket 240V AC.
Dimensions:	All dimensions are in millimetres and are subject to normal manufacturing tolerances. Caroma pursues a policy of continuing improvement in design and performance of its products. The right is therefore reserved to vary specifications without notice.

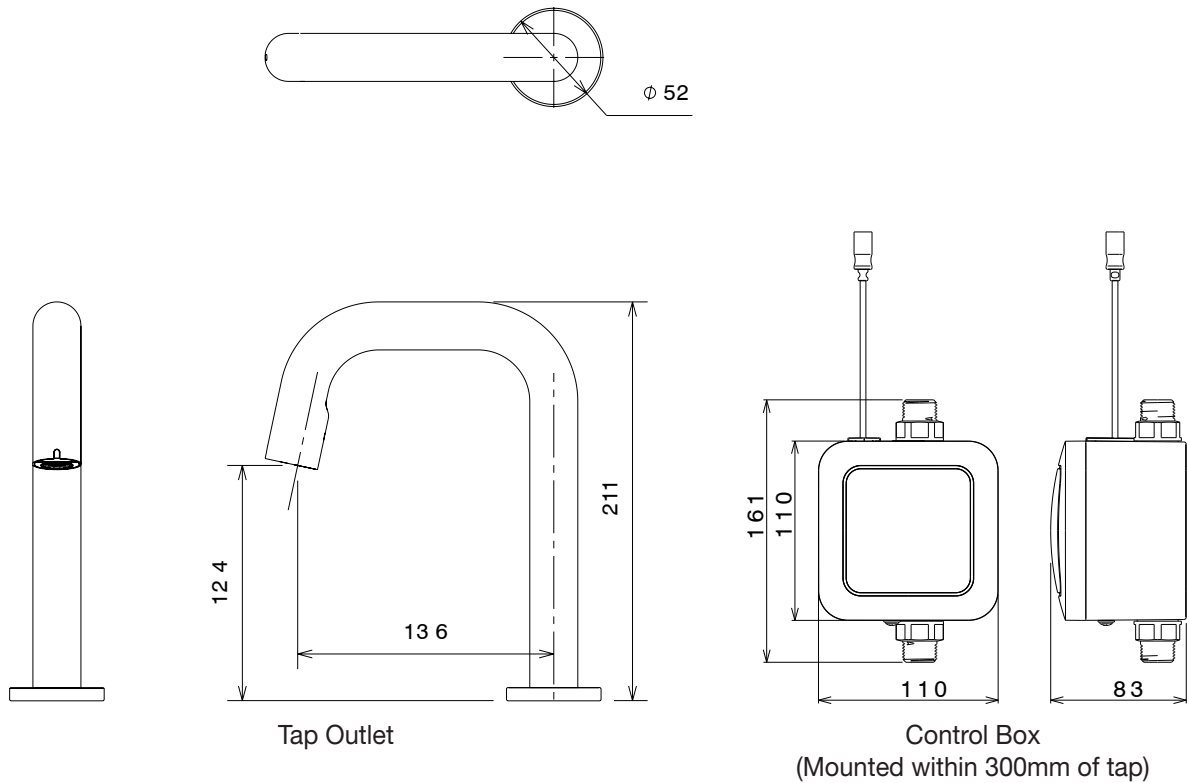
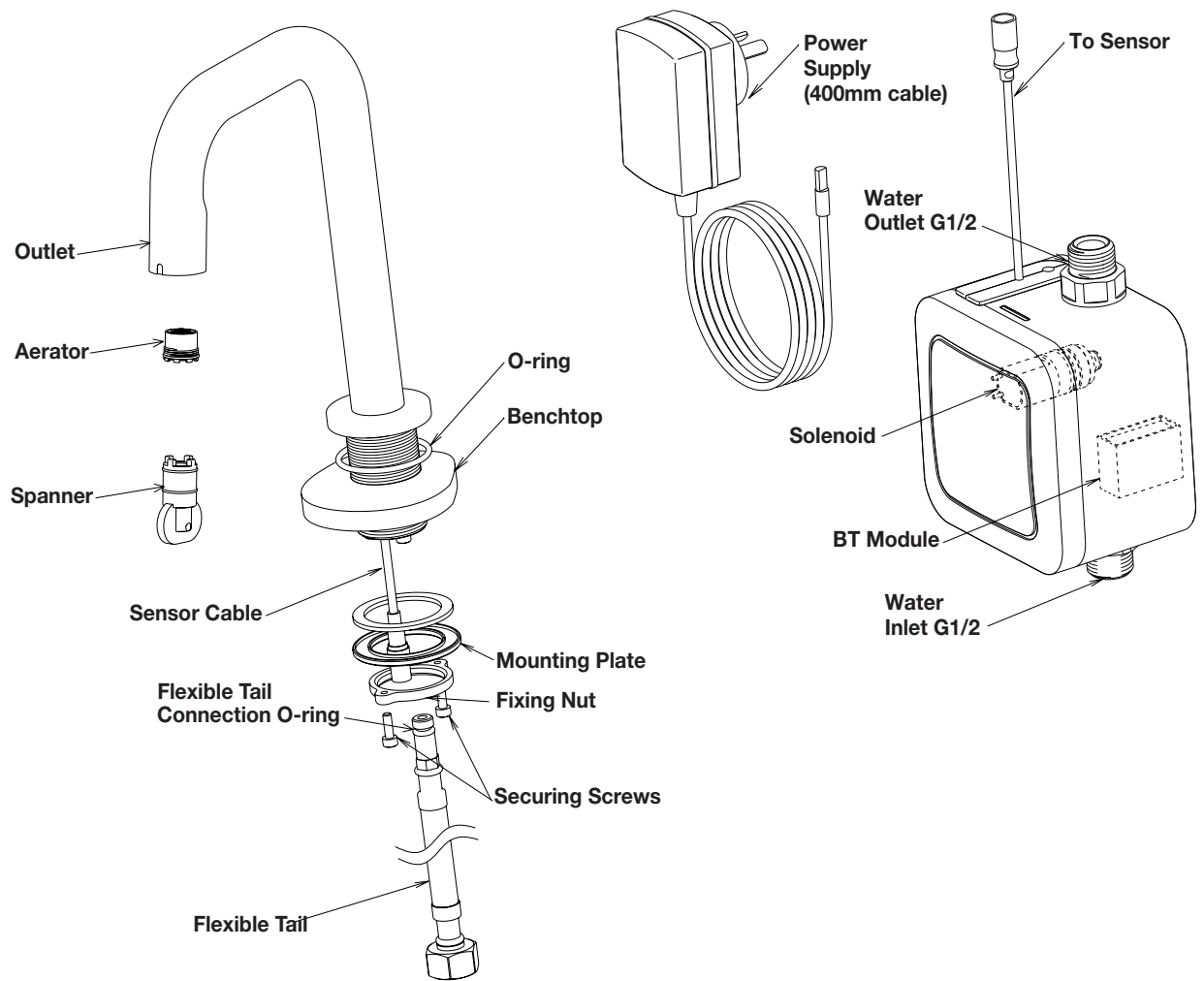



Figure 1: Overall Dimensions



 Technical Data Electronic Basin Tap Single Supply	
Dimensions	Height: 211mm x Distance to Centre of Outlet: 236mm x Width: 50mm
Weight	650g
Power Supply	Wall mounted power pack (supplied)
Sensor Type	Infra-Red
Power Consumption	Max. 20mA
Plug Pack Input	240V AC 50/60 Hz
Plug Pack Output	6V DC
Ambient Temperature	0°C...60°C
BMS Connection Type	BMS connection via Caroma Smart Command Bluetooth® Gateway (410100) & Concentrator (4110101)
Communication Protocol	Bluetooth 4.0
Default IP Address	Configurable or advise at order placement for preconfiguration
Power Supply EMC Approvals	CE, C-Tick and FCC
Power Supply Safety Approvals	RCM, UL, CUL, TUV, GS, SAA, CE and CB
Power Supply Safety Compliance	AS/NZS 60950, UL 60950, EN 60950, IEC 60950
ROHS Compliance	EN50581:2012
EMC Compliance	EN 301 489-1 V2.1.1, EN 300 328 V2.1.1, EN623111, EN62368-1: 2014, AS/NZS CISPR 32:2015 (ITE Class B)
Electrical Safety Compliance	IEC 60950-1, UL 60950-1, CSA C22.2 60950-1
Complies with EC Directives	RoHS2 Directive 2011/65/EU, Waste Electrical and Electronic Equipment (WEEE) Directive 2002/96/EC, Registration, Evaluation, Authorisation and Restriction of Chemicals (REACH) Directive, Conflict Minerals Directive
Packaging	Dimensions: H: 250 mm x L: 350 mm x D: 100 mm Weight: 900 g Quantity: 1